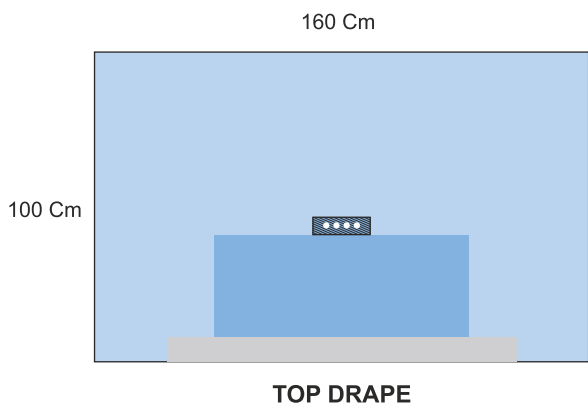




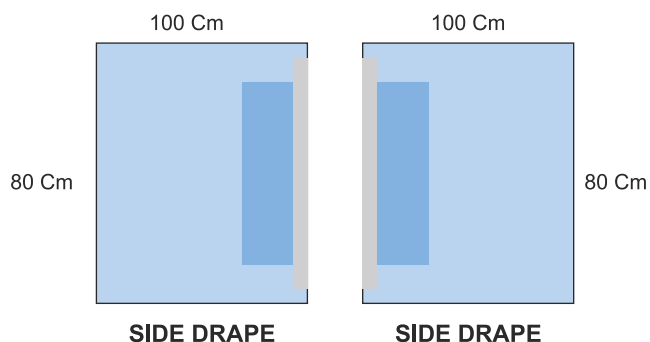
# General Surgery Packs & Drapes

- **Single Drapes**
- **Universal Packs**
- **U-Bar Packs**
- **Laparotomy Packs**
- **Laparoscopic Packs**

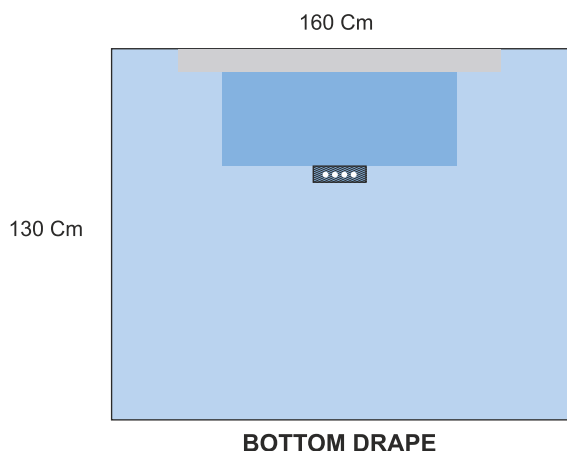
## DRAPE WITH REINFORCED AND ADHESIVE



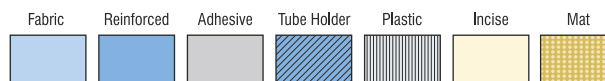
Product Code #	Description	Size(cm)
40011-0000	Top Drape <ul style="list-style-type: none"> <li>• Absorbent Laminated reinforcement</li> <li>• Tube holder</li> <li>• Adhesive</li> </ul>	100x160



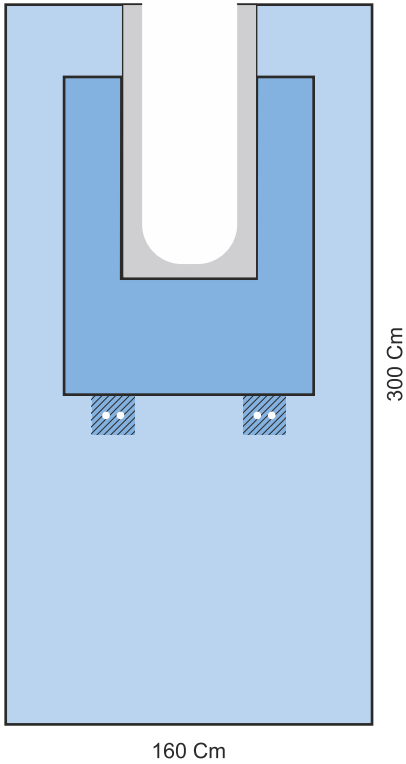
Product Code #	Description	Size(cm)
40012-0000	Side Drape <ul style="list-style-type: none"> <li>• Absorbent Laminated reinforcement</li> <li>• Adhesive</li> </ul>	80x100



Product Code #	Description	Size(cm)
40013-0000	Bottom Drape <ul style="list-style-type: none"> <li>• Absorbent Laminated reinforcement</li> <li>• Tube holder</li> <li>• Adhesive</li> </ul>	160x130

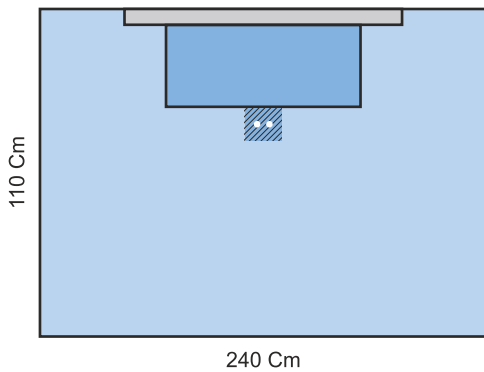


**U-DRAPE**



Product Code #	Description	Size(cm)
41011-0000	U-Drape <ul style="list-style-type: none"> <li>• Adhesive</li> <li>• Absorbent Laminated Reinforcement</li> <li>• Tube Holder</li> <li>• 10x100 Cm Spit</li> </ul>	300x160

**BAR DRAPE**

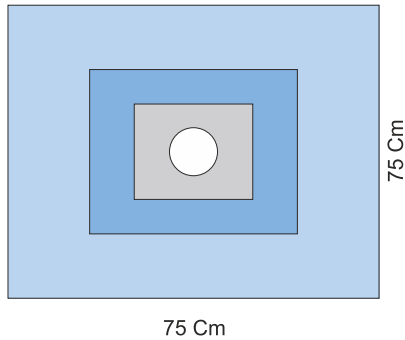


Product Code #	Description	Size(cm)
41012-0000	Bar Drape <ul style="list-style-type: none"> <li>• Adhesive</li> <li>• Absorbent Laminated Reinforcement</li> <li>• Tube Holder</li> </ul>	110x240

160 Cm

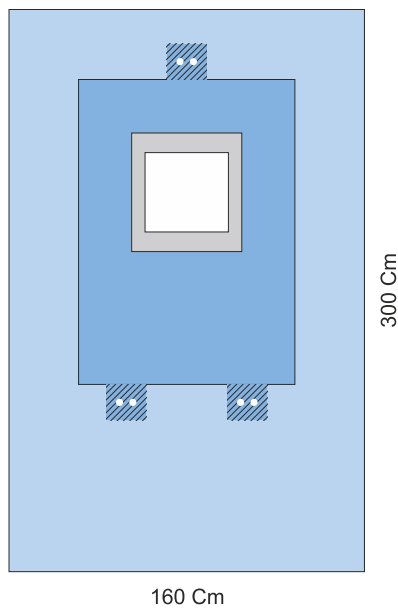


## SMALL FENESTRATED DRAPE



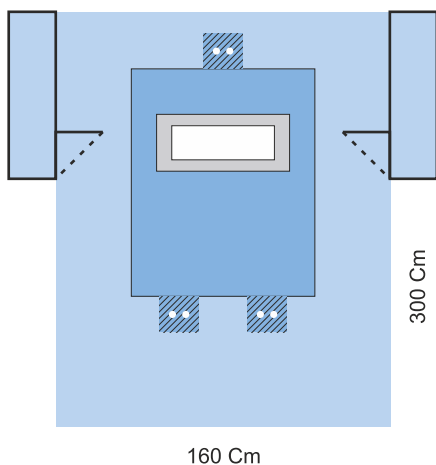
Product Code #	Description	Size(cm)
41101-0000	Small Fenestrated Drape <ul style="list-style-type: none"> <li>• Adhesive</li> <li>• Absorbent Laminated Reinforcement</li> <li>• 6 Cm Circular Fenestration</li> </ul>	75x75

## SQUARE FENESTRATED DRAPE



Product Code #	Description	Size(cm)
41201-0000	Square Fenestrated Drape <ul style="list-style-type: none"> <li>• 25 Cm Fenestration</li> <li>• Adhesive</li> <li>• Absorbent Laminated Reinforcement</li> <li>• Tube Holder</li> </ul>	300x160

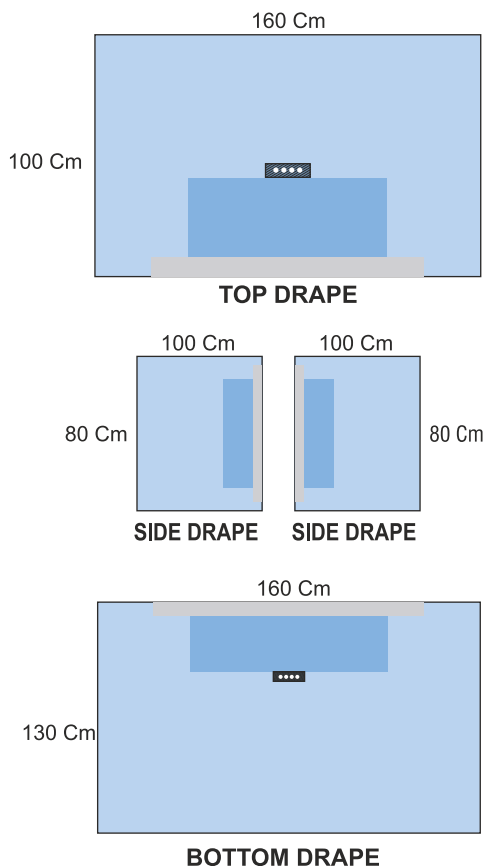
## TRANSVERSE LAPAROTOMY DRAPE



Product Code #	Description	Size(cm)
41202-0000	Transverse Laparotomy Drape <ul style="list-style-type: none"> <li>• 10x30 Cm Fenestration</li> <li>• Absorbent Laminated Reinforcement</li> <li>• Tube Holder</li> <li>• Arm Board Covers</li> </ul>	300x160

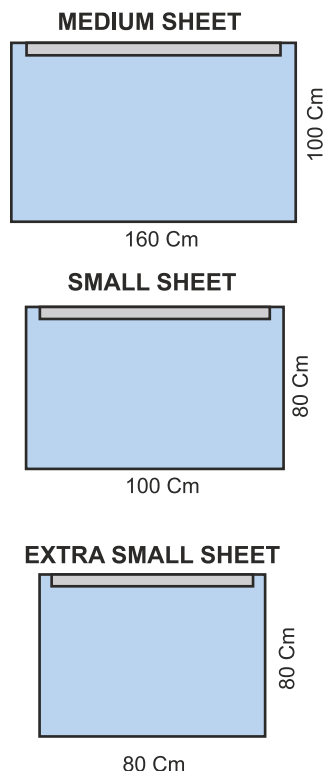


## Universal Pack I : Product Code - #66805-0001



Item Code	Qty.	Contents	Size(cm)
085-160-100S	1 PC	Back Table Cover Reinforced	160x100
CR 143029-000	3 PCS	Hand Towel	30x30
CR 143027-003	3 PCS	Surgical Gown Reinforced/GS14	L
318-160-160S	1 PC	Trolley Sheet Non Woven Laminated	160x160
40011-0000	2 PCS	Top Drape	160x100
		<ul style="list-style-type: none"> <li>• Adhesive</li> <li>• Absorbent Laminated Reinforcement</li> <li>• Tube Holder</li> </ul>	
043-160-200A	2 PCS	X Large Sheet	160x200
		<ul style="list-style-type: none"> <li>• Adhesive</li> </ul>	
CC 142002-002	1 PC	Cautery Bag	35x30
		<ul style="list-style-type: none"> <li>• Adhesive</li> </ul>	
CR 143041-012	6 PCS	Mopping Pad	30x30
043-060-040A	4 PCS	Utility Drape	60x40
		<ul style="list-style-type: none"> <li>• Adhesive</li> </ul>	
CR 143039-004	1 PC	Mayo Stand Cover	60x140
40013-0000	1 PC	Bottom Drape	130x160
		<ul style="list-style-type: none"> <li>• Adhesive</li> <li>• Absorbent Laminated Reinforcement</li> <li>• Tube Holder</li> </ul>	
40012-0000	2 PCS	Side Drape	100x80
		<ul style="list-style-type: none"> <li>• Adhesive</li> <li>• Absorbent Laminated Reinforcement</li> </ul>	
CP 141066-000	1 PC	Carry Bag	

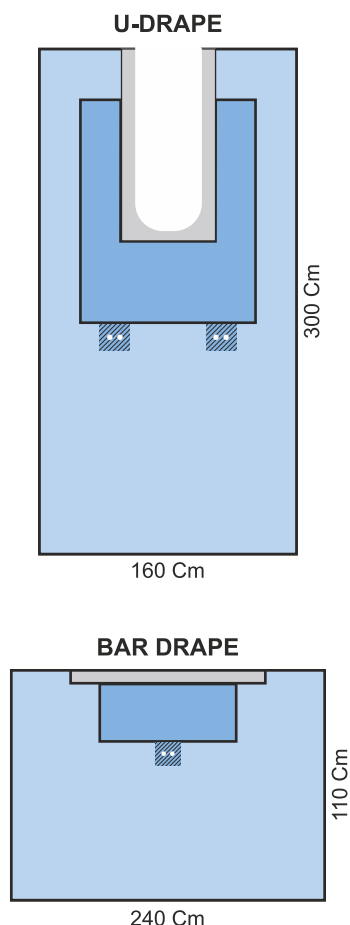
## Universal Pack II : Product Code - #66805-0002



Item Code	Qty.	Contents	Size(cm)
085-160-100S	1 PC	Back Table Cover Reinforced	160x100
CR 143027-024	3 PCS	Surgical Gown	L
CR 143029-000	3 PCS	Hand Towel	30x30
CR 143084-001	1 PC	Under Pad	L
CR 143005-001	1 PC	Apron	L
CR 143039-000	1 PC	Mayo Stand Cover	80x80
043-160-100S	1 PC	Plain Sheet	160x100
065-150-100S	2 PC	Absorbent Sheet	150x100
065-075-100A	2 PC	Absorbent Sheet with Adhesive	75x100
065-150-225S	1 PC	Fenestrated Absorbent Sheet	150x225
		<ul style="list-style-type: none"> <li>• 15x25 Cm Fenestration</li> </ul>	
CR 143041-012	6 PC	Mopping Pad	30x30
CR 143263-002	1 PC	ISO Seal Drape Tape Strips	20x5
CC 142002-002	1 PC	Cautery Bag	35x30
		<ul style="list-style-type: none"> <li>• Adhesive</li> </ul>	
043-160-100A	1 PC	Medium Sheet	160x100
		<ul style="list-style-type: none"> <li>• Adhesive</li> </ul>	
043-080-100A	1 PC	Small Sheet	100x80
		<ul style="list-style-type: none"> <li>• Adhesive</li> </ul>	
043-080-080A	2 PC	Extra Small Sheet	80x80
		<ul style="list-style-type: none"> <li>• Adhesive</li> </ul>	
CP 141066-000	1 PC	Carry Bag	



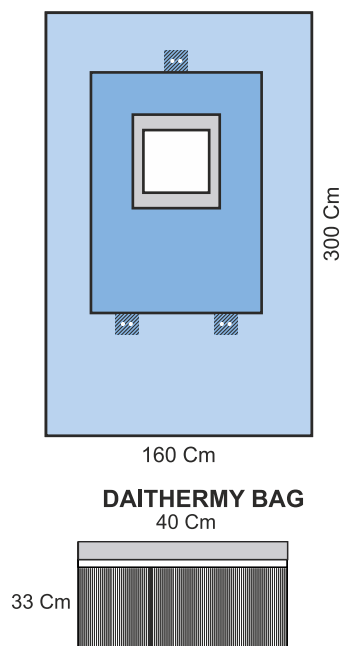
## U-Bar Pack : Product Code - #66422-0000



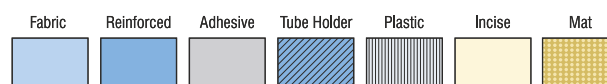
Item Code	Qty.	Contents	Size(cm)
085-160-100S	1 PC	Back Table Cover Reinforced	160x100
CR 143029-000	3 PCS	Hand Towel	30x30
CR 143027-003	3 PCS	Surgical Gown Reinforced/GS14	L
318-160-160S	1 PC	Trolley Sheet Non Woven Laminated	160x160
41011-0000	2 PCS	U-Drape <ul style="list-style-type: none"> <li>• Adhesive</li> <li>• Absorbent Laminated Reinforcement</li> <li>• Tube Holder</li> </ul>	160x300
043-160-200A	2 PCS	X Large Sheet <ul style="list-style-type: none"> <li>• Adhesive</li> </ul>	160x200
CC 142002-000	1 PC	Cautery Bag <ul style="list-style-type: none"> <li>• Adhesive</li> </ul>	35x30
CR 143041-012	6 PCS	Mopping Pad	30x30
043-060-040A	4 PCS	Utility Drape <ul style="list-style-type: none"> <li>• Adhesive</li> </ul>	60x40
CR 143039-000	1 PC	Mayo Stand Cover	80x80
41012-0000	1 PC	Bar Drape <ul style="list-style-type: none"> <li>• Adhesive</li> <li>• Absorbent Laminated Reinforcement</li> <li>• Tube Holder</li> </ul>	110x240
CP 141066-000	1 PC	Carry Bag	

## Laparotomy Pack I : Product Code - #66421-0001

### SQUARE FENESTRATED DRAPE

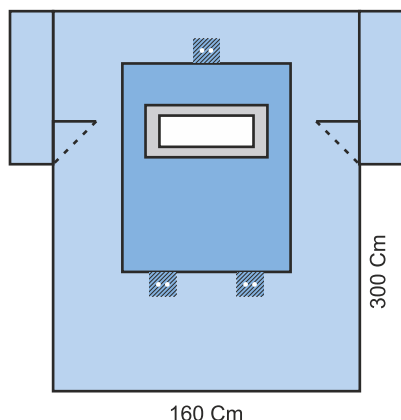


Item Code	Qty.	Contents	Size(cm)
085-160-100S	1 PC	Back Table Cover Reinforced	160x100
CR 143027-024	2 PCS	Surgical Gown	L
CR 143029-000	2 PCS	Hand Towel	30x30
CR 143039-000	1 PC	Mayo Stand Cover	80x80
CR 143029-000	1 PC	Hand Towel	30x30
043-060-040A	4 PCS	Utility Drape <ul style="list-style-type: none"> <li>• Adhesive</li> </ul>	60x40
CR 142002-001	1 PC	Diathermy Bag <ul style="list-style-type: none"> <li>• Adhesive</li> </ul>	35x30
CR 143041-012	4 PC	Mopping Pad	30x30
CR 143005-001	2 PCS	Apron	L
CR 141201-0000	1 PC	Square Fenestrated Drape <ul style="list-style-type: none"> <li>• 25 Cm Fenestration</li> <li>• Adhesive</li> <li>• Absorbent Laminated Reinforcement</li> <li>• Tube Holder</li> </ul>	300x160
CP 141066-000	1 PC	Carry Bag	

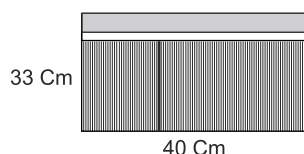


## Transverse Laparotomy Pack II : Product Code - #66421-0002

### TRANSVERSE LAPAROTOMY DRAPE



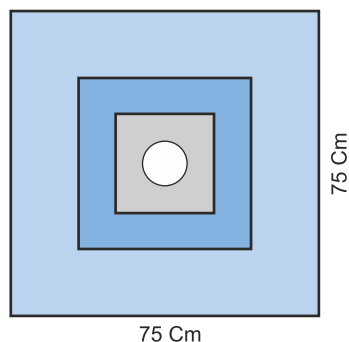
### DAITHERMY BAG



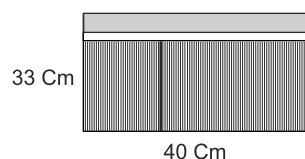
Item Code	Qty.	Contents	Size(cm)
085-160-100S	1 PC	Back Table Cover Reinforced	160x100
CR 143027-030	2 PCS	Surgical Gown Reinforced	L
CR 143029-000	2 PCS	Hand Towel	30x30
CR 143039-000	1 PC	Mayo Stand Cover	80x80
043-060-040A	4 PCS	Utility Drape	60x40
CP 142002-001	1 PC	Diathermy Bag	35x30
CR 143263-002	2 PCS	ISO Seal Drape Tape Strips	20x5
CR 143041-012	4 PC	Mopping Pad	30x30
CR 143005-001	2 PCS	Apron	L
41202-0000	1 PC	Transverse Laparotomy Drape	300x160
		<ul style="list-style-type: none"> <li>• Adhesive</li> <li>• Control Plus Fabric Reinforcement</li> <li>• Tube Holder</li> <li>• Arm Board Covers</li> <li>• 10x30 Cm Fenestration</li> </ul>	
CP 141066-000	1 PC	Carry Bag	

## Small Procedure Pack : Product Code - #66571-0000

### SMALL FENESTRATED DRAPE



### DAITHERMY BAG



Item Code	Qty.	Contents	Size(cm)
085-160-100S	1 PC	Back Table Cover Reinforced	160x100
CR 143027-024	2 PCS	Surgical Gown	L
CR 143029-000	2 PCS	Hand Towel	30x30
CR 1430263-002	1 PC	ISO Seal Drape Tape Strips	5x20
CR 142002-001	1 PC	Diathermy Bag	35x30
41101-0000	1 PC	Small Fenestrated Drape	75x75
		<ul style="list-style-type: none"> <li>• 6 Cm Circle Fenestration</li> <li>• Adhesive</li> <li>• Absorbent Laminated Reinforcement</li> </ul>	
CP 141066	1 PC	Carry Bag	

